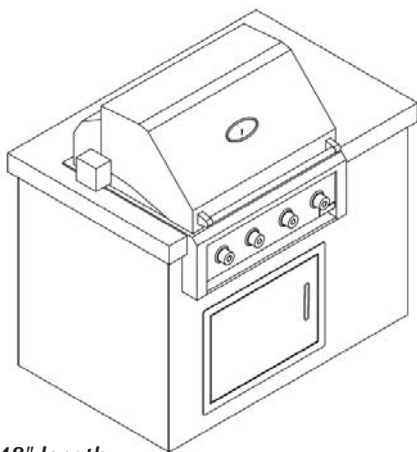


# Grill Island Popular Configurations

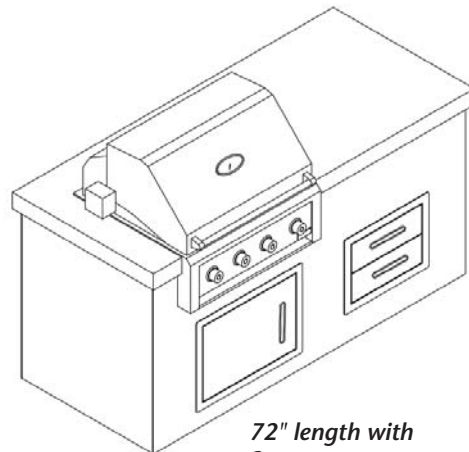
All PCE Grill Islands are customizable. Choose the size appropriate for your space and then decide what components you want in your outdoor kitchen island. All grill islands are constructed of a heavy-duty aluminum frame with durable hardiboard siding. Grill islands are available unfinished or finished. Unfinished islands are ready for you to apply stone or a finish of your choice. Finished grill islands come with a Dryvit or stucco base and tile counter top, both available in a variety of colors.



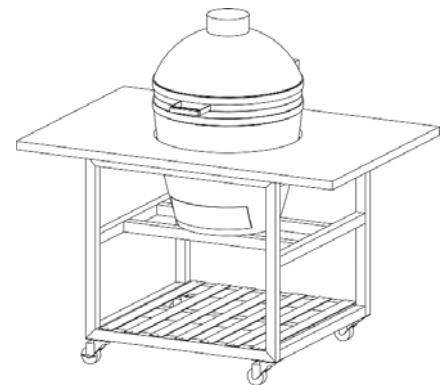
**Below are a few popular outdoor grill island configurations**  
(Additional configurations available)



48" length  
with 2 cut-outs



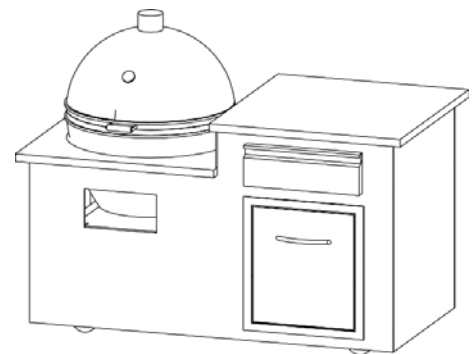
72" length with  
3 cut-outs



Egg Smoker carts  
30" & 46"



84" length with 4 cut-outs



Egg Smoker cart  
60" with 3 cut-outs



Grill islands made in USA.

**WARRANTY:** Lifetime warranty on burners and limited lifetime warranty on all stainless steel components. One year limited warranty on valves, ignition, knobs, covers and rotisserie motor under normal usage.

**Disclaimer:** Patio Cuisine Elements assumes no responsibility for information published in this brochure and disclaims all liability in respect of such information. Patio Cuisine Elements does not warrant that the information published is accurate or free from error. Information published within this brochure is intended solely for the purpose of providing general information.

**PCE**

Patio Cuisine Elements

by AMERICAN GAS LOG

5964-G Peachtree Corners East, Norcross, GA 30071

Tel: 770-987-3827